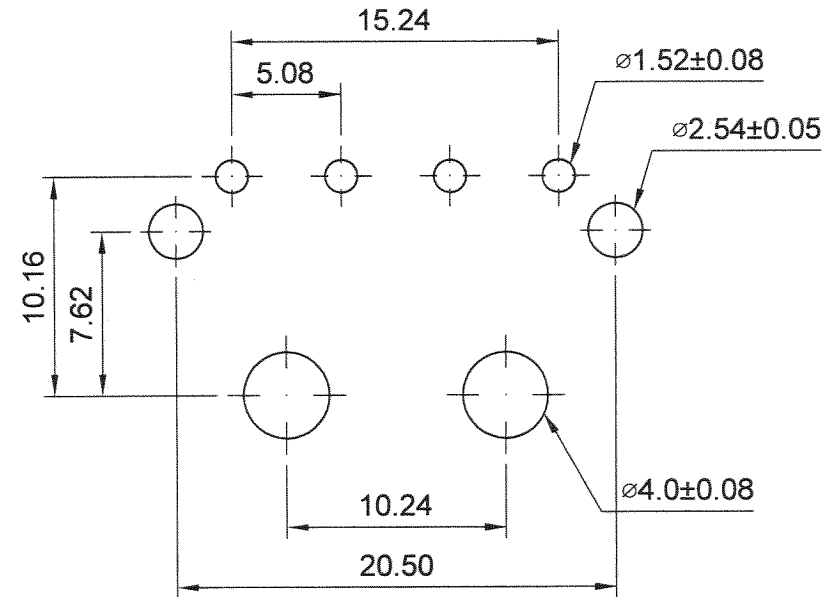
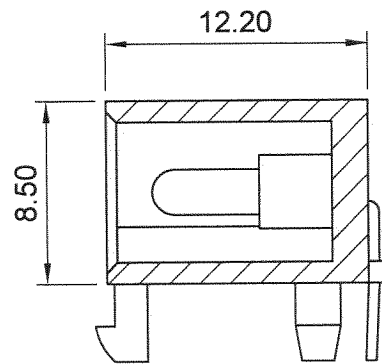
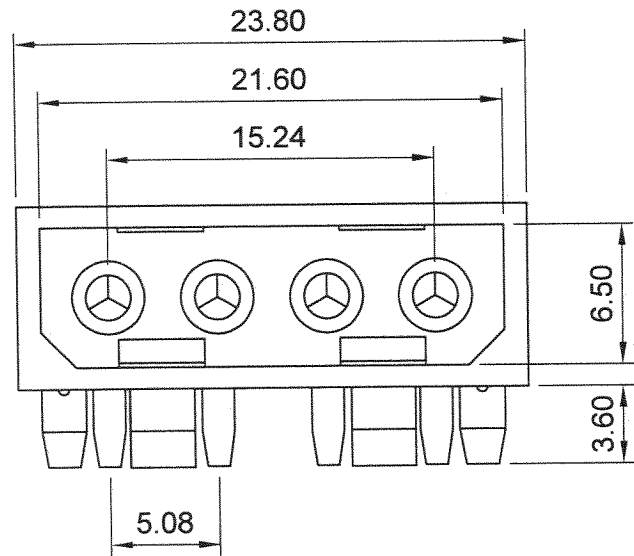
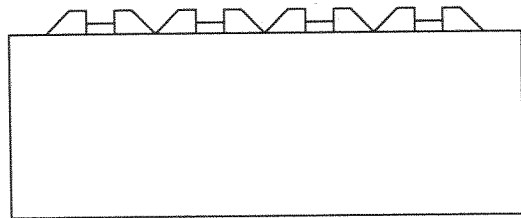


RoHS
Compliant
2002/95/EC

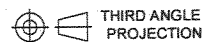
SPECIFICATIONS

CURRENT RATING : 5A AC, DC
 VOLTAGE RATING : 250V AC, DC
 TEMPERATURE RANGE : -25°C ~ +105°C
 INSULATION RESISTANCE : 1000 MΩ MIN.
 WITHSTAND VOLTAGE : 1500V AC/MINUTE
 APPLICABLE P.C.BOARD THICKNESS : .63" (1.6mm)
 MATERIAL : INSULATOR : NYLON 66 UL94V-2
 MATERIAL : POST : BRASS, TIN PLATED
 POLES : 4



P.C. Board Layout

JAWS 兆旭股份有限公司
 JAWS CO., LTD.
 7F-1, NO.31, Lane 169, Kang Ning Street,
 Hsichih, Taipei Hsien, Taiwan.
 TEL: 886-2-2692-2898
 FAX: 886-2-2692-2618
 Http://www.jaws.com.tw



THIRD ANGLE
PROJECTION

DESIGN UNITS
 mm INCH

TITLE:
5.08mm POWER CONNECTOR

GENERAL TOLERANCES :

±0.30

DRAWN

游熾瑩

DATE 98/03/23

SIZE:

A4

SCALE:

FREE

SHEET:

1/1

PARTS NO.:

4508B-TR-04-A

DWG NO.:

JAWS-SOP-4508B004

REV.

01

CHECK

Q. en

DATE 98.3.24

APPROVE

陳世寬

DATE 98.3.24